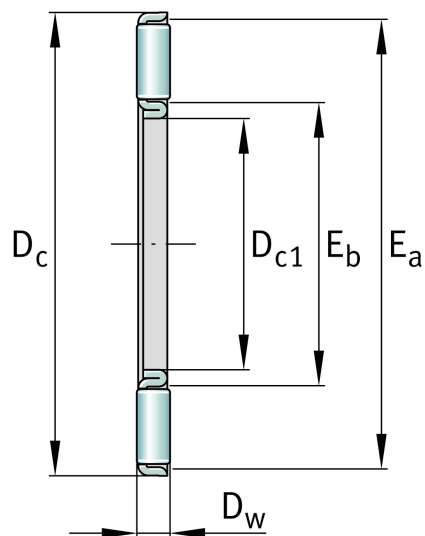
**AXK5578-A/0-10**

Axial needle roller and cage assembly

Schaeffler ID:
0000356029065Axial needle roller and cage assemblies,
single direction, to DIN 5405-2

Technical information

Main Dimensions & Performance Data

D_{c1}	55 mm	Bore diameter cage
D_c	78 mm	Outside diameter
D_w	3 mm	Rolling element diameter
E_a	76 mm	Raceway dimension
E_b	60 mm	Raceway dimension
c_a	38,500 N	Basic dynamic load rating, axial
c_{0a}	186,000 N	Basic static load rating, axial
c_{ua}	20,700 N	Fatigue load limit, axial
n_G	4,350 1/min	Limiting speed
n_{gr}	1,780 N	Reference speed
	27.212 g	Weight

Additional information

AS5578	Axial bearing washer
--------	----------------------

